

Specification sheet LX 476

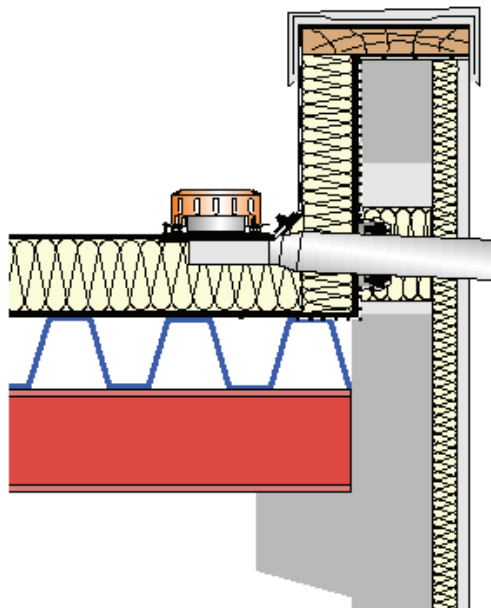
**Parapet roof drainage systems
Series 89 RAINSTAR®
with roof penetration of 55 mm
as spout**

Emergency flow

Gravity flow

Silent Power

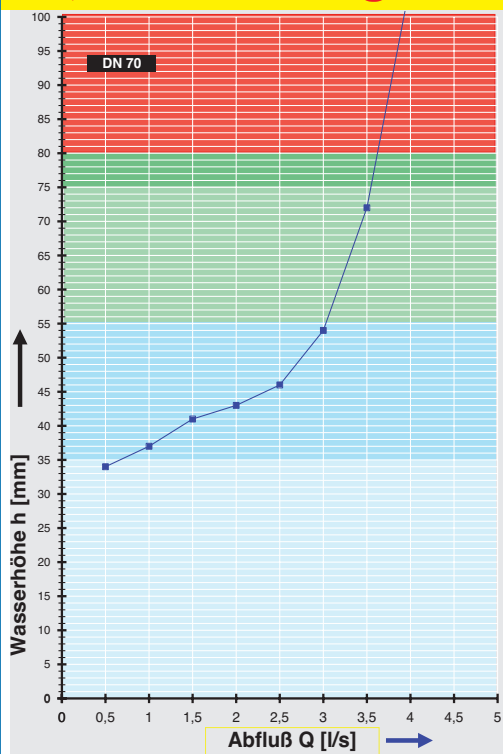
Discharge rate:	3,5 l/sec
Water height:	75 mm
Roof penetration:	55 mm
Diameter:	DN 70
LX-Number:	LX 476
Weir height:	35 mm
Drain:	ventilated
Downpipe:	-
Downpipes height:	0 m
Drainage:	on floor



LX 476 Piece list

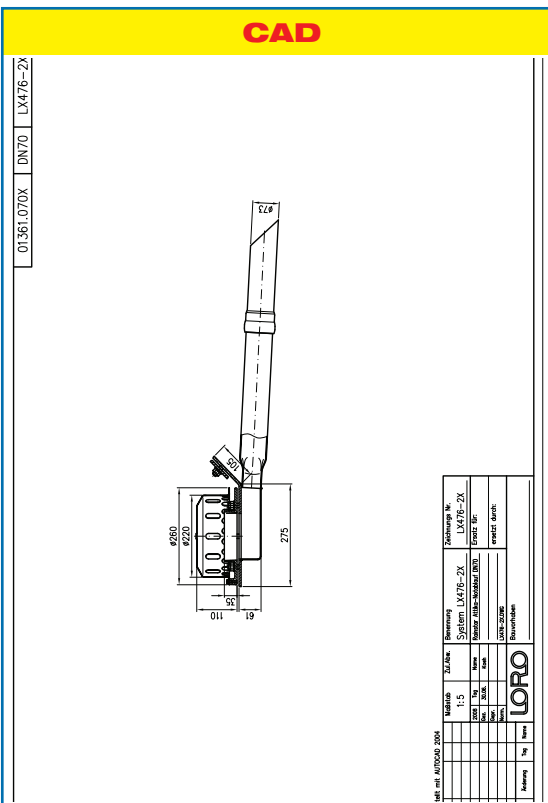
- 1 x Art.-Nr. 01361.070X, RAINSTAR® parapet drain
- 1 x Art.-Nr. 01401.070X, LORO-X Pipe with one socket
- 1 x Art.-Nr. 13236.070X, LORO-X Sliding flange
- 1 x Art.-Nr. 00911.070X, LORO-X Sealing elements
- 1 x Art.-Nr. 00986.000X, LORO-X Lubricant

hQ - Head-Discharge curve



Systempower

CAD



Systemshape

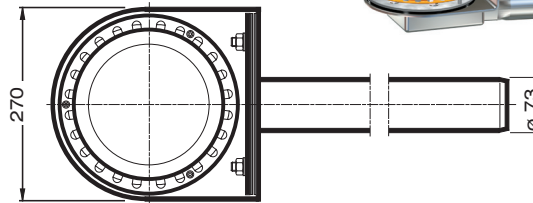
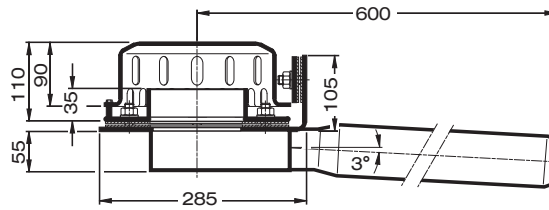
Water height	mm	5	10	15	20	25	30	35	40	45	50	55	60	65	70	75
Discharge	l/sec							0,6	1,4	2,3	2,7	3,0	3,2	3,3	3,4	3,5
Silent																

System variants for LORO-X RAINSTAR® parapet emergency drains

LX476-1X

Drain Art.-No. 01363.070X
Weight: 8,3 kg

Series 89
with roof penetration of 55 mm
clamping flange 90°
for plastic roofing sheets



LX476-2X

Drain Art.-No. 01361.070X
Weight: 8,1 kg

Series 89
with roof penetration of 55 mm
clamping flange 45°
for bituminous roofing sheets

